

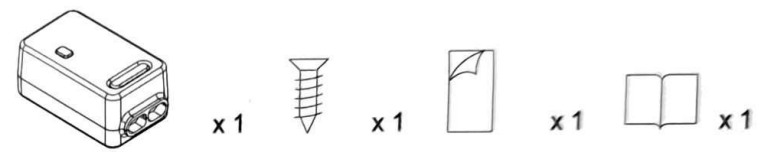
# User Manual

for Kinetic Wall Switch On/Off Receivers

CUL 40038  
 CUL 40039  
 44552part2

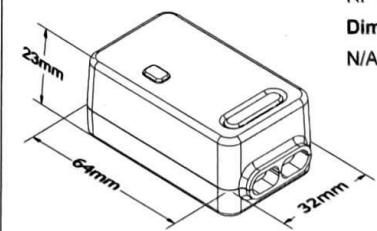
**Important note:** isolate power before connecting receiver. Failure to do so can cause electric shock, fire or other hazards.

## A. What is in the box?



## B. Specifications

### Dimensions:



### Product Code:

RF KR01-ND-RF  
 RF & Wif KR01-ND-WF

### Dimming:

N/A

### Power:

300W LED (800W Resistive loads)

### Input Voltage:

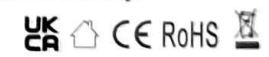
AC100 - 260V 50/60Hz

### Radio Frequency:

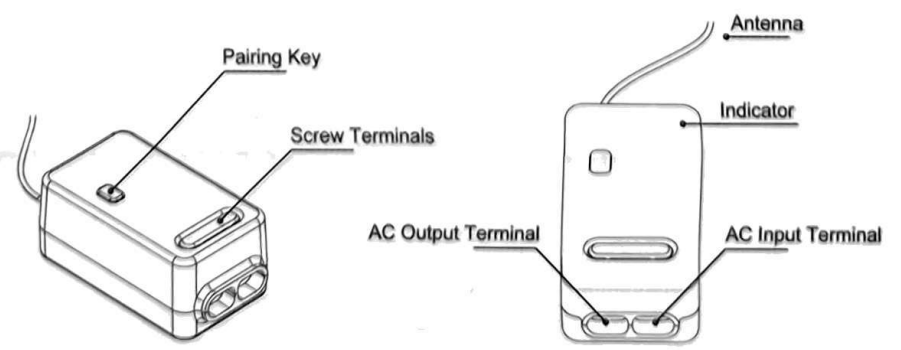
RF 433MHz;  
 WiFi 2.4G for Smart Versions.

### IP Rating:

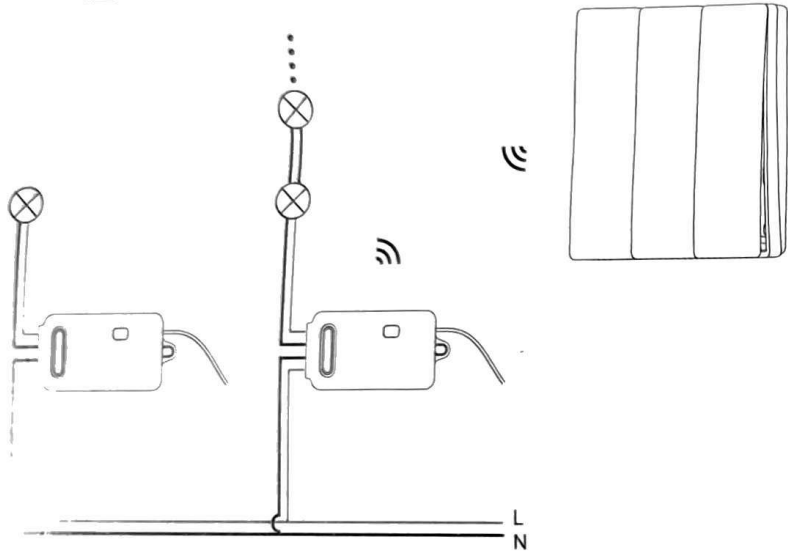
IP20; Indoor use only.



## C. Functions of parts



## Wiring Diagram



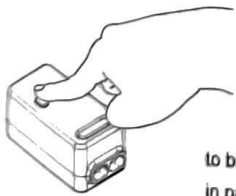
## Installations

**a** Disconnect the mains before installation

Installation must be carried out by licensed electricians.

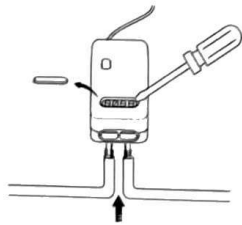


**c** Press the Pairing Key to pair to switches.

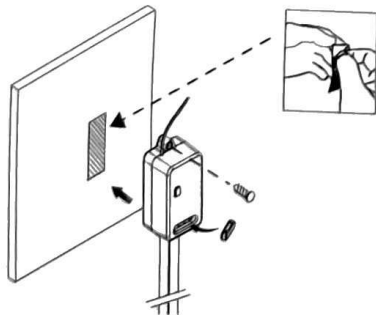


to be continued in pairing section

**b** Fix the cables to the receiver firmly.

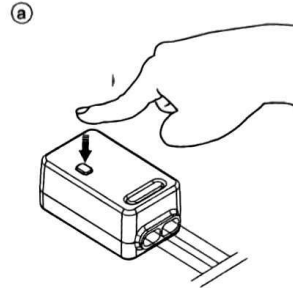


**d** Fix the receiver by screws or sticker provided.

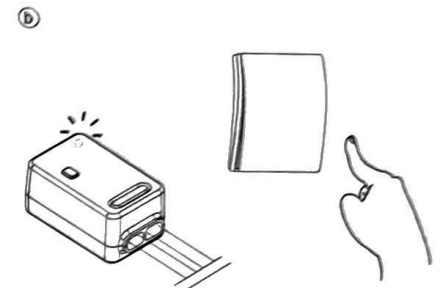


## F. Pairing with Kinetic Switch

### 1. Pairing to kinetic switch - Standard method



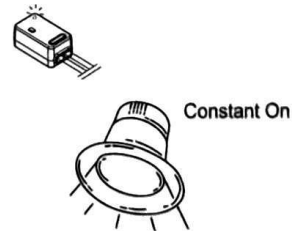
Press the Pairing Key for 3-4s, until the RED indicator flashes slowly.



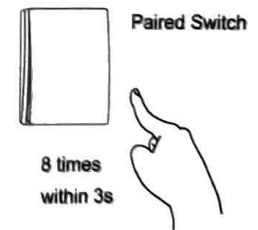
Whilst the indicator on the receiver flashes, press the Kinetic switch ONCE to complete the pairing.

### 2. Pairing to kinetic switch - Remote pairing to installed receiver.

**a** Turn on the light



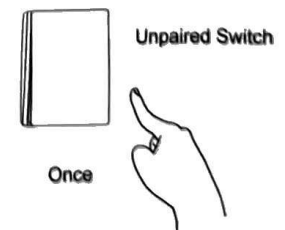
**b** Press 8 times on Paired Switch within 3s



**c** Receiver enters a Switch Pairing window



**d** Press the key of unpaired switch ONCE to complete the pairing.



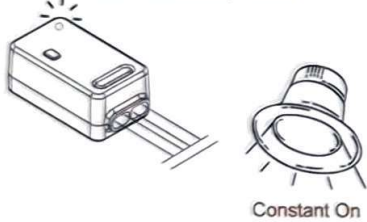
## G. Pairing to Tuya App (WiFi Version)

Tuya App pairing is available out of the box however some units may need to be reset to enter pairing mode. Ensure Bluetooth is in the on position on your device. To reset the receiver, press the button on the receiver for 10-12 seconds until the receiver has a blue flashing light & then let go of the button. The receiver is now in pairing mode & will remain in pairing mode for 3 minutes. Open the Tuya App & your receiver should now be visible. If pairing is not successful simply repeat by pressing the pairing button again for 10-12 seconds.

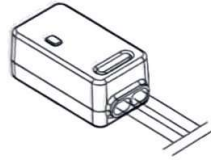
### 1. For Tuya App Pairing

Note: Tuya App pairing available from the time of powering up the receiver.

a) BLUE Indicator continuously flashes.



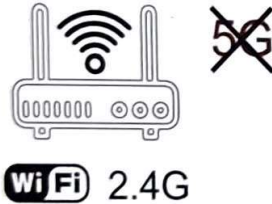
b) Successful pairing stops the BLUE flash.



Download Tuya Smartlife App to process



Please note, 5G Router is NOT compatible.

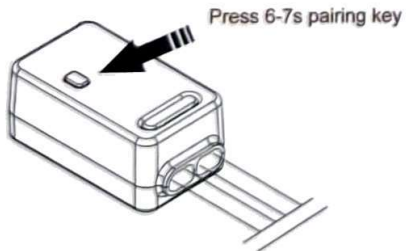


You may pair RF & Smart Receiver to Kinetic Switches by following Pairing Step 1.

## H. Un-pairing

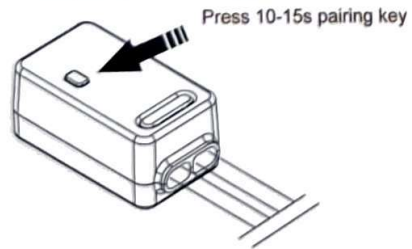
a) Kinetic Switch

Un-pairing from receiver

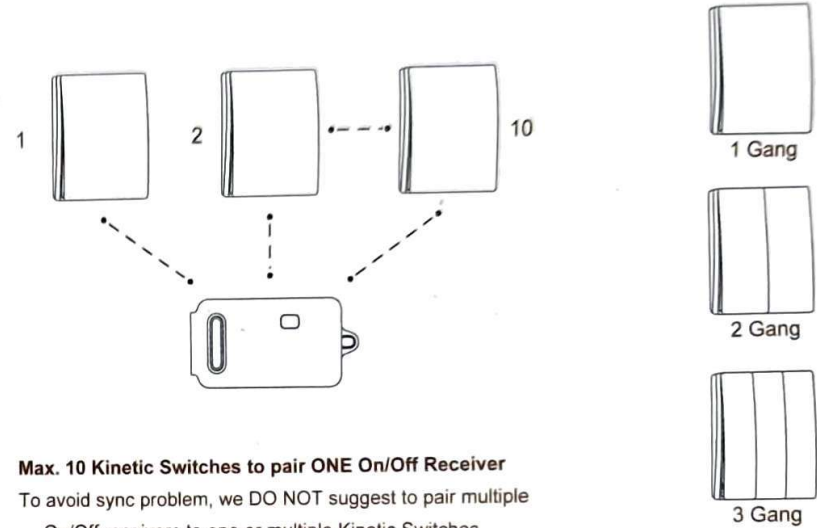


b) Tuya App

Un-pairing from Tuya App



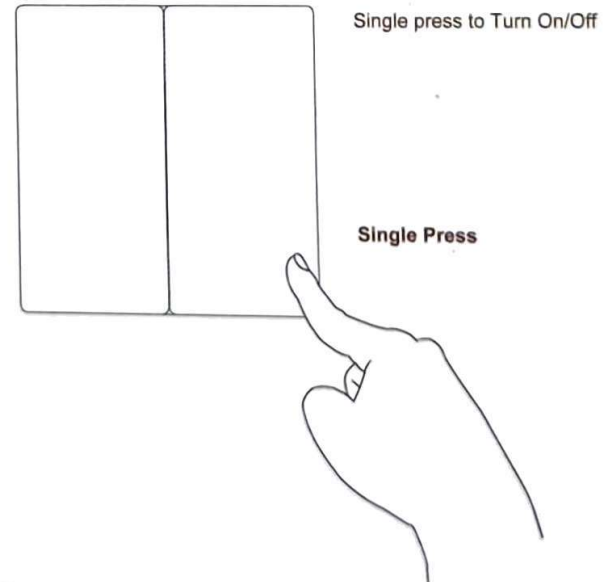
## I. Pairing Limitations



Max. 10 Kinetic Switches to pair ONE On/Off Receiver

To avoid sync problem, we DO NOT suggest to pair multiple On/Off receivers to one or multiple Kinetic Switches.

## J. Control the On/Off Receiver via Kinetic Switch



## K. Control the On/Off Receiver via Tuya App

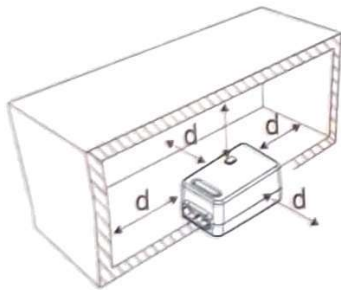


Follow Tuya App User Manual for better experience.

Scan the QR code to Tuya User Manual.

## Attentions

d = Min. 50mm



Do not cover with insulations

